



National Auto Fleet Group

A Division of Chevrolet of Watsonville

490 Auto Center Drive, Watsonville, CA 95076
 (855) 289-6572 • (831) 480-8497 Fax
 Fleet@NationalAutoFleetGroup.com

5/19/2020
 5/20/2020 Re-Configured

Quote ID: **24093 R1**

Order Cut Off Date: **TBA**

Freddy Barajas
 City of San Leandro
 Equipment Service
 14200 Chapman Rd
 San Leandro, California, 94578

Dear Freddy Barajas,

National Auto Fleet Group is pleased to quote the following vehicle(s) for your consideration.

One (1) New/Unused (2020 Ford Super Duty F-350 DRW (F3G) XL 2WD Reg Cab 169" WB 84" CA, Scezli Body Proposal 203918 (details enclosed)) and delivered to your specified location, each for

	One Unit
Contract Price	\$33,586.56
Scezli Body Proposal 203918 (details enclosed)	\$15,335.00
Tax (9.7500 %)	\$4,769.85
Tire fee	\$8.75
Total	\$53,700.16

- per the attached specifications. Price includes 2 additional key(s).

This vehicle(s) is available under the **Sourcewell (Formerly Known as NJPA) Contract 120716-NAF**. Please reference this Contract number on all purchase orders to National Auto Fleet Group. Payment terms are Net 20 days after receipt of vehicle.

Thank you in advance for your consideration. Should you have any questions, please do not hesitate to call.

Sincerely,

Jesse Cooper
 Account Manager
 Email: Fleet@NationalAutoFleetGroup.com
 Office: (855) 289-6572
 Fax: (831) 480-8497



GMC

In order to Finalize your Quote, please submit this purchase packet to your governing body for Purchase Order Approval. Once you issue a Purchase Order please send by:

Fax: (831) 480-8497

**Mail: National Auto Fleet Group
490 Auto Center Drive
Watsonville, CA 95076**

Email: Fleet@NationalAutoFleetGroup.com

We will then send a W-9 if you need one

**Please contact our main office with any questions:
1-855-289-6572**



2286 E. Date Ave.
 Fresno, CA 93706
 Phone: 559-237-5541
 Fax: 559-237-5554
 www.SEINC.com

Quotation

203918

User: Uribe, Ruben

Bill To: NATIONAL AUTO FLEET GROUP
 Attn: CARROLL, NEIL
 490 AUTO CENTER DR.
 WATSONVILLE, CA 95076
 1-855-289-6572

Ship To: CITY OF SAN LEANDRO
 Attn: BARAJAS, FREDDY
 14200 CHAPMAN RD
 SAN LEANDRO, CA 94578
 510-577-3440

Quote Date:	05/20/2020	Salesman:	Uribe, Ruben
Expiration Date:	06/19/2020	Ship Via:	SCENZ DROPSHIP
Sales Tax	Exempt @ 0.000%	Terms:	Net 30 w/ PO
		PO Number:	

Notes:
PAINT BODY WHITE AFT AXLE FUEL TANK

Qty	Part Number	Description	Total	Tax
1	Customer Chassis	2020, FORD F350, REG CAB, WHITE, GAS, DRW 84" CA		\$0.00
1	SFB 8 X 12	- "NO" TAILPLATE - 3/16" DIAMOND PLATE BED - CROSSMEMBERS ON 12" CENTERS. - ROPE HOOKS ON EACH CROSSMEMBER. - A.J. BAER STAKE POCKETS - SIDES ONLY - L.E.D. SEAL BEAM CLEARANCE LIGHTS OEM TAILLIGHTS. - CALIFORNIA DOCK BUMPER. - PERFORATED HEADBOARD 10 GAUGE SMOOTH STEEL 50/50 NON-CONTOURED WITH 3" CHANNEL UPRIGHTS AND RADIUS CORNERS. 1EA - TOMMYGATE 2000LB CAPACITY LIFTGATE MODEL#G2-92-2050 EA41 WITH 85" x 41" ALUMINUM PLATFORM PLUS 6" TAPER, LED LIGHT KIT AND IN CAB SHUT OFF SWITCH 1EA - CLASS 5 RECEIVER HITCH WITH CLASS 4 REDUCER INSERT 1EA - TRAILER PLUG 7/4 OEM SOCKET 1EA - INSTALL FACTORY BACK UP CAMERA	\$14,837.00	
1	FB-SIDERACK	SET OF 42" TALL STAINLESS STEEL STAKES WITH HARDWOOD SLATS AND WESTERN GATE LATCHES (SIDES ONLY)		\$0.00



2286 E. Date Ave.
 Fresno, CA 93706
 Phone: 559-237-5541
 Fax: 559-237-5554
 www.SEINC.com

Quotation

203918

User: Uribe, Ruben

2	TOOLBOX	48" X 18" X 18" UNDERBODY RECESSED MOUNTED TOOLBOXES (1EA) SIDE @ FRONT - PAINTED WHITE	\$0.00
1	HAZ MAT - HWD FEE	HAZARDOUS WASTE DISPOSAL FEE	\$30.00
1	WEIGHT CERTIFICATE	WEIGHT CERTIFICATE OF COMPLETED UNIT	\$35.00
1	TRANSPORTATION	ONE WAY TO SAN LEANDRO, CA	\$433.00
Sub Total			\$15,335.00
Sales Tax			\$0.00
Total			\$15,335.00

DISCLAIMERS

TERMS: Standard terms are Net 10 Days, any deviations need to be in writing before production

CHANGES: Each change after quote is accepted will constitute a \$500.00 fee in addition to the cost of the change
 No changes will be made to orders 2 weeks prior to production start date

DRAWINGS: Any changes to drawings after acceptance and 2 weeks prior to production start date will constitute a \$500.00
 fee or more at \$150.00 per hour
 No changes will be made to drawings 2 weeks prior to production start date

PAINT: Scelzi Enterprises, Inc. does not guarantee a perfect color match due to inconsistencies in factory paints and procedures

THIS WORK AUTHORIZED BY

Payment in full on completion of job if credit arrangements have not been made in advance

The above quotation is submitted according to specifications submitted by customer. Any alterations or changes increasing production costs will be charged for accordingly.

DATE

Estimate

Prepared By:

Sales Rep: Uribe,
Ruben

Vehicle Configuration Options

ENGINE	
Code	Description
996	ENGINE: 6.2L 2-VALVE SOHC EFI NA V8 (FLEX-FUEL), (STD)
TRANSMISSION	
Code	Description
44G	TRANSMISSION: TORQSHIFT 10-SPEED AUTOMATIC, -inc: selectable drive modes: normal, tow/haul, eco, deep sand/snow and slippery (STD)
WHEELS	
Code	Description
64K	WHEELS: 17" ARGENT PAINTED STEEL, -inc: Hub covers/center ornaments not included (STD)
TIRES	
Code	Description
TD8	TIRES: LT245/75RX17E BSW PLUS A/S, -inc: Spare may not be the same as road tire (STD)
PRIMARY PAINT	
Code	Description
Z1	OXFORD WHITE
PAINT SCHEME	
Code	Description
___	STANDARD PAINT
SEAT TYPE	
Code	Description
AS	MEDIUM EARTH GRAY, HD VINYL 40/20/40 SPLIT BENCH SEAT, -inc: center armrest, cupholder, storage and driver's side manual lumbar
AXLE RATIO	
Code	Description
X37	3.73 AXLE RATIO, (STD)
ADDITIONAL EQUIPMENT	
Code	Description
90L	POWER EQUIPMENT GROUP, -inc: Deletes passenger side lock cylinder, upgraded door-trim panel, Accessory Delay, Advanced Security Pack, SecuriLock Passive Anti-Theft System (PATS) and inclination/intrusion sensors, MyKey, owner controls feature, Power Locks, Remote Keyless Entry, Folding Trailer Tow Mirrors w/Power Heated Glass, manual

	telescoping, heated convex spotter mirror and integrated clearance lamps/turn signals, Power Front Side Windows, 1-touch up/down driver/passenger window
67E	240 AMP ALTERNATOR
52B	TRAILER BRAKE CONTROLLER, -inc: smart trailer tow connector, Verified to be compatible w/electronic actuated drum brakes only
76C	EXTERIOR BACKUP ALARM (PRE-INSTALLED), -inc: Custom accessory
51D	SPARE TIRE & WHEEL DELETE
18B	PLATFORM RUNNING BOARDS
942	DAYTIME RUNNING LAMPS (DRL), -inc: The non-controllable 942 Daytime Running Lamps (DRL) replace the standard Daytime Running Lamps (DRL) on/off cluster controllable
872	REAR VIEW CAMERA & PREP KIT, -inc: Pre-installed content includes cab wiring and frame wiring to the rear most cross member, Upfitters kit includes camera w/mounting bracket, 20' jumper wire and camera mounting/aiming instructions
18A	UPFITTER INTERFACE MODULE
OPTION PACKAGE	
Code	Description
640A	ORDER CODE 640A

2020 Fleet/Non-Retail Ford Super Duty F-350 DRW XL 2WD Reg Cab 169" WB 84" CA

WINDOW STICKER

2020 Ford Super Duty F-350 DRW XL 2WD Reg Cab 169" WB 84" CA

CODE	MODEL	MSRP
F3G	2020 Ford Super Duty F-350 DRW XL 2WD Reg Cab 169" WB 84" CA	\$36,310.00
OPTIONS		
996	ENGINE: 6.2L 2-VALVE SOHC EFI NA V8 (FLEX-FUEL), (STD)	\$0.00
44G	TRANSMISSION: TORQSHIFT 10-SPEED AUTOMATIC, -inc: selectable drive modes: normal, tow/haul, eco, deep sand/snow and slippery (STD)	\$0.00
64K	WHEELS: 17" ARGENT PAINTED STEEL, -inc: Hub covers/center ornaments not included (STD)	\$0.00
TD8	TIRES: LT245/75RX17E BSW PLUS A/S, -inc: Spare may not be the same as road tire (STD)	\$0.00
Z1	OXFORD WHITE	\$0.00
—	STANDARD PAINT	\$0.00
AS	MEDIUM EARTH GRAY, HD VINYL 40/20/40 SPLIT BENCH SEAT, -inc: center armrest, cupholder, storage and driver's side manual lumbar	\$0.00
X37	3.73 AXLE RATIO, (STD)	\$0.00
90L	POWER EQUIPMENT GROUP, -inc: Deletes passenger side lock cylinder, upgraded door-trim panel, Accessory Delay, Advanced Security Pack, SecuriLock Passive Anti-Theft System (PATS) and inclination/intrusion sensors, MyKey, owner controls feature, Power Locks, Remote Keyless Entry, Folding Trailer Tow Mirrors w/Power Heated Glass, manual telescoping, heated convex spotter mirror and integrated clearance lamps/turn signals, Power Front Side Windows, 1-touch up/down driver/passenger window	\$915.00
67E	240 AMP ALTERNATOR	\$85.00
52B	TRAILER BRAKE CONTROLLER, -inc: smart trailer tow connector, Verified to be compatible w/electronic actuated drum brakes only	\$270.00
76C	EXTERIOR BACKUP ALARM (PRE-INSTALLED), -inc: Custom accessory	\$140.00
51D	SPARE TIRE & WHEEL DELETE	(\$85.00)
18B	PLATFORM RUNNING BOARDS	\$320.00
942	DAYTIME RUNNING LAMPS (DRL), -inc: The non-controllable 942 Daytime Running Lamps (DRL) replace the standard Daytime Running Lamps (DRL) on/off cluster controllable	\$45.00
872	REAR VIEW CAMERA & PREP KIT, -inc: Pre-installed content includes cab wiring and frame wiring to the rear most cross member, Upfitters kit includes camera w/mounting bracket, 20' jumper wire and camera mounting/aiming instructions	\$415.00
18A	UPFITTER INTERFACE MODULE	\$295.00
640A	ORDER CODE 640A	\$0.00

Please note selected options override standard equipment

SUBTOTAL	\$38,710.00
Advert/ Adjustments	\$0.00
Manufacturer Destination Charge	\$1,695.00
TOTAL PRICE	\$40,405.00

Est City: N/A MPG
Est Highway: N/A MPG
Est Highway Cruising Range: N/A mi

Any performance-related calculations are offered solely as guidelines. Actual unit performance will depend on your operating conditions.

Standard Equipment

MECHANICAL

Engine: 6.2L 2-Valve SOHC EFI NA V8 (Flex-Fuel)
Transmission: TorqShift 10-Speed Automatic -inc: selectable drive modes: normal, tow/haul, eco, deep sand/snow and slippery
3.73 Axle Ratio
GVWR: 14,000 lb Payload Package
50-State Emissions System
Transmission w/Oil Cooler
Rear-Wheel Drive
72-Amp/Hr 650CCA Maintenance-Free Battery w/Run Down Protection
HD 200 Amp Alternator
Towing Equipment -inc: Trailer Sway Control
Trailer Wiring Harness
7330# Maximum Payload
HD Shock Absorbers
Front And Rear Anti-Roll Bars
Firm Suspension
Hydraulic Power-Assist Steering
40 Gal. Fuel Tank
Single Stainless Steel Exhaust
Dual Rear Wheels
Front Suspension w/Coil Springs
Leaf Rear Suspension w/Leaf Springs
4-Wheel Disc Brakes w/4-Wheel ABS, Front And Rear Vented Discs and Brake Assist
Upfitter Switches

EXTERIOR

Wheels: 17" Argent Painted Steel -inc: Hub covers/center ornaments not included
Tires: LT245/75Rx17E BSW PLUS A/S -inc: Spare may not be the same as road tire
Clearcoat Paint
Black Front Bumper w/Black Rub Strip/Fascia Accent and 2 Tow Hooks
Black Side Windows Trim and Black Front Windshield Trim
Black Door Handles
Black Manual Side Mirrors w/Manual Folding
Manual Extendable Trailer Style Mirrors
Fixed Rear Window
Light Tinted Glass
Variable Intermittent Wipers

Aluminum Panels
Black Grille
Front License Plate Bracket
Autolamp Fully Automatic Aero-Composite Halogen Daytime Running Lights Preference Setting Headlamps w/Delay-Off
Cab Clearance Lights

ENTERTAINMENT

Radio: AM/FM Stereo w/MP3 Player -inc: 4 speakers
Radio w/Seek-Scan
Fixed Antenna
SYNC Communications & Entertainment System -inc: enhanced voice recognition, 911 Assist, 4.2" LCD center stack screen, AppLink, 1 smart-charging USB-C port and steering wheel audio controls

INTERIOR

4-Way Driver Seat -inc: Manual Recline and Fore/Aft Movement
4-Way Passenger Seat -inc: Manual Recline and Fore/Aft Movement
Manual Tilt/Telescoping Steering Column
Gauges -inc: Speedometer, Odometer, Oil Pressure, Engine Coolant Temp, Tachometer, Transmission Fluid Temp, Engine Hour Meter, Trip Odometer and Trip Computer
FordPass Connect 4G Mobile Hotspot Internet Access
Manual Air Conditioning
Illuminated Locking Glove Box
Interior Trim -inc: Chrome Interior Accents
Full Cloth Headliner
Urethane Gear Shifter Material
HD Vinyl 40/20/40 Split Bench Seat -inc: center armrest, cupholder, storage and driver's side manual lumbar
Day-Night Rearview Mirror
Passenger Visor Vanity Mirror
2 12V DC Power Outlets
Front Map Lights
Fade-To-Off Interior Lighting
Full Vinyl/Rubber Floor Covering
Underhood Lights
Smart Device Remote Engine Start
Instrument Panel Covered Bin and Dashboard Storage
Manual 1st Row Windows
Systems Monitor
Trip Computer
Outside Temp Gauge

Analog Display

Manual Adjustable Front Head Restraints

Air Filtration

SAFETY

Driveline Traction Control

Side Impact Beams

Dual Stage Driver And Passenger Seat-Mounted Side Airbags

Low Tire Pressure Warning

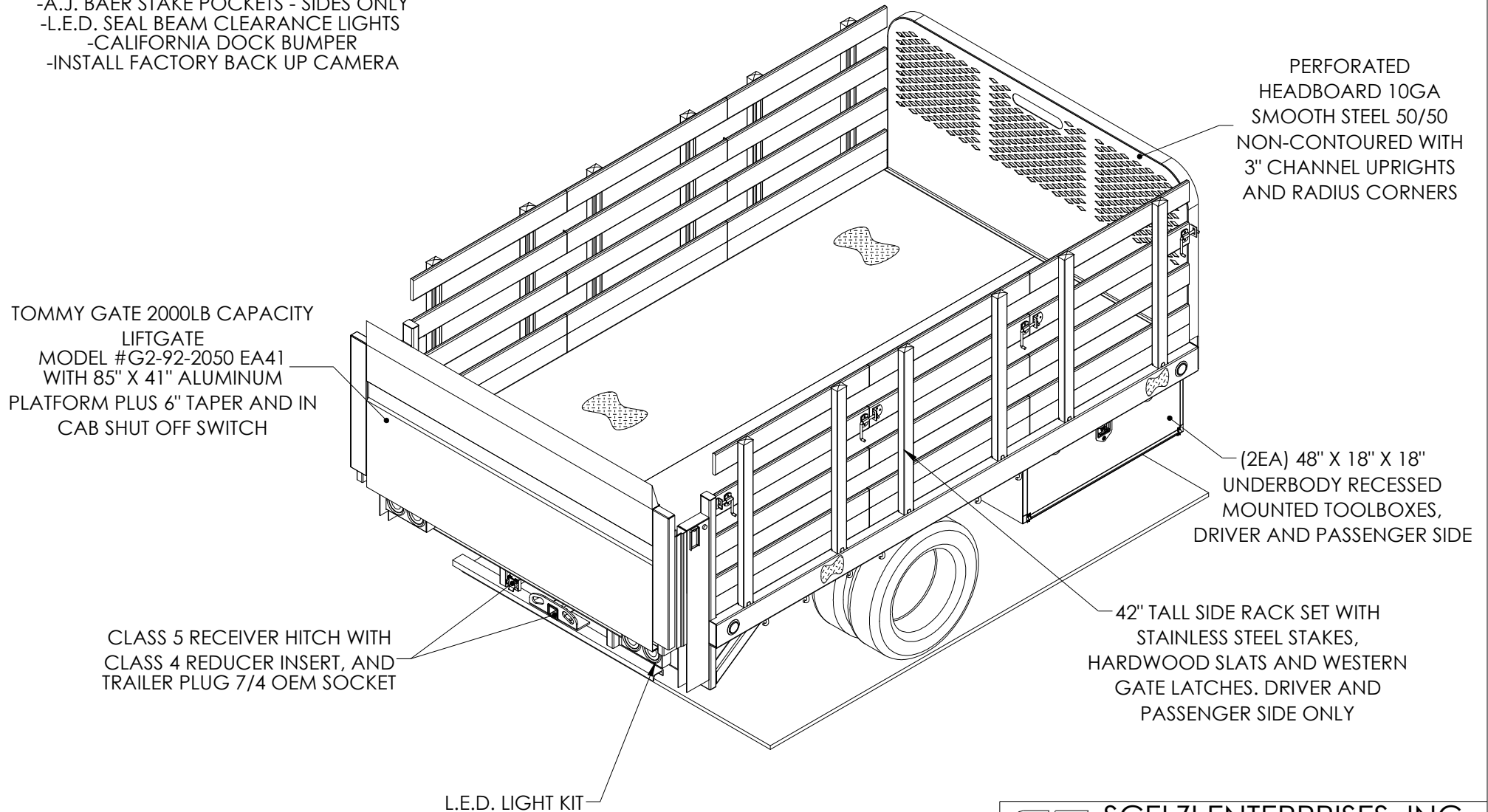
Dual Stage Driver And Passenger Front Airbags w/Passenger Off Switch
--

Safety Canopy System Curtain 1st Row Airbags
--

Outboard Front Lap And Shoulder Safety Belts -inc: Height Adjusters

203918 - SFB 8' X 12'

- SFB 8' X 12'
- AFT AXLE FUEL TANK
- "NO" TAILPLATE
- 3/16" DIAMOND PLATE BED
- CROSSMEMBERS ON 12" CENTERS
- ROPE HOOKS ON EACH CROSSMEMBER
- A.J. BAER STAKE POCKETS - SIDES ONLY
- L.E.D. SEAL BEAM CLEARANCE LIGHTS
- CALIFORNIA DOCK BUMPER
- INSTALL FACTORY BACK UP CAMERA



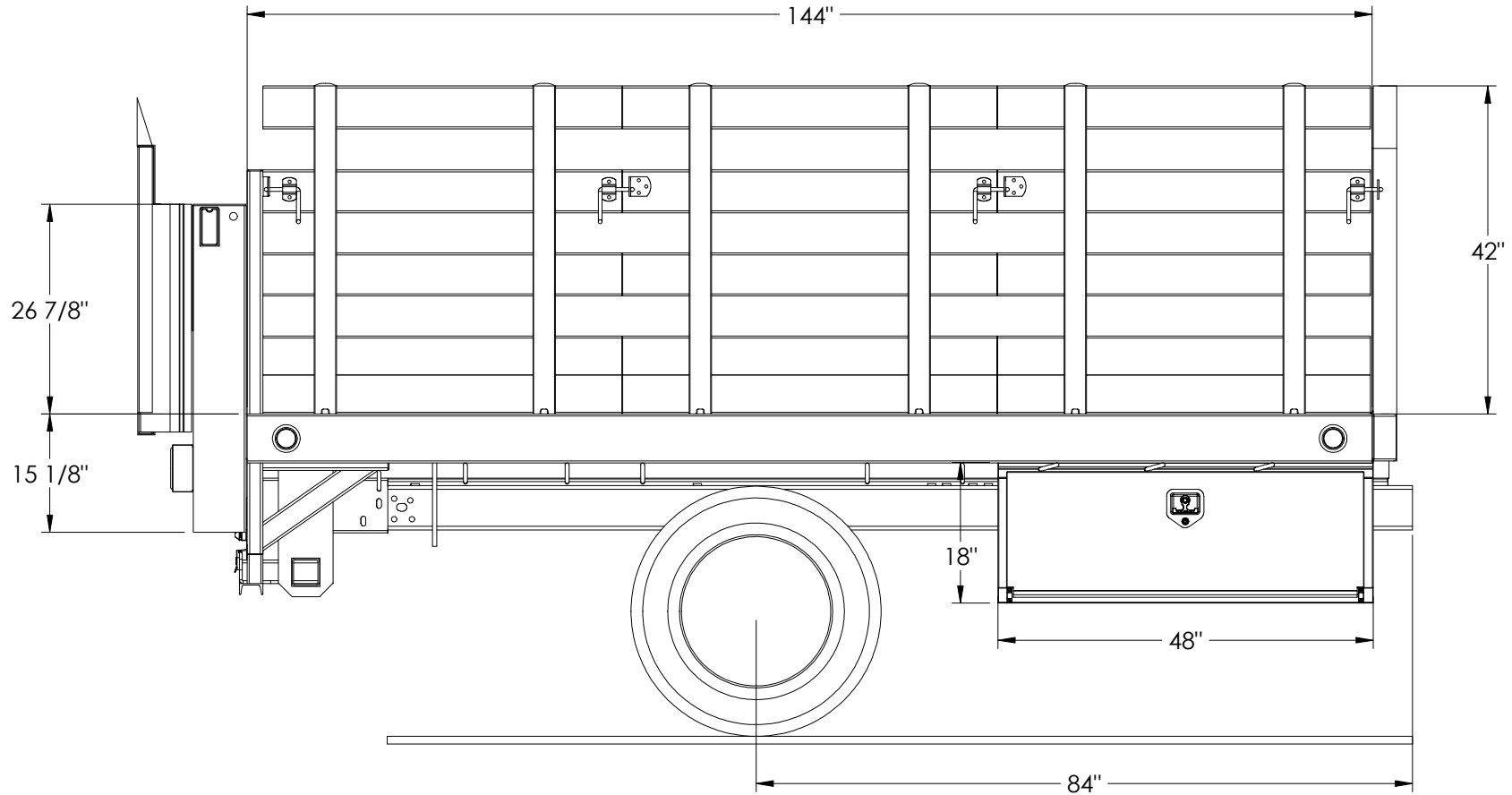
CUSTOMER SIGNATURE X _____

REV.	ECO.	DESCRIPTION OF REVISION	DATE	APPV'D BY:
0	---	DRAWING CREATED	2/4/2019	KDO

THIS DRAWING OR DOCUMENT AND/OR ELECTRONIC DATA, OR COPY THEREOF, IS THE PROPERTY OF SCELZI ENTERPRISES, INC. & IS CONSIDERED PROPRIETARY & CONFIDENTIAL. DISCLOSURE OF THIS INFORMATION IN ANY FORM, IN WHOLE OR IN PART, TO ANY THIRD PARTY IS STRICTLY PROHIBITED WITHOUT THE EXPRESS ADVANCED WRITTEN PERMISSION FROM AN AUTHORIZED REPRESENTATIVE OF SCELZI ENTERPRISES, INC. USERS OF THE INFORMATION CONTAINED HEREIN SHALL TAKE APPROPRIATE MEASURES TO ENSURE THIS INFORMATION REMAINS CONFIDENTIAL.

SCELZI ENTERPRISES, INC. 2772 S. CHERRY AVE., FRESNO, CA 93706			
DRAWN BY: I.M.	YEAR: 2020	CA: 84"	PART NO:
DATE: 5/26/2020	MAKE: FORD		
SCALE: 1:30	MODEL: F-350		
LAYOUT: 1 OF 5	DWG NAME: BOM LAYOUT		WORK ORDER: 203918
SHEET SIZE: A	203918		
DEALER: NATIONAL AUTO FLEET GROUP	CUSTOMER: CITY OF SAN LEANDRO		
DESCRIPTION:	SFB 8' X 12'		


203918 - SFB 8' X 12'



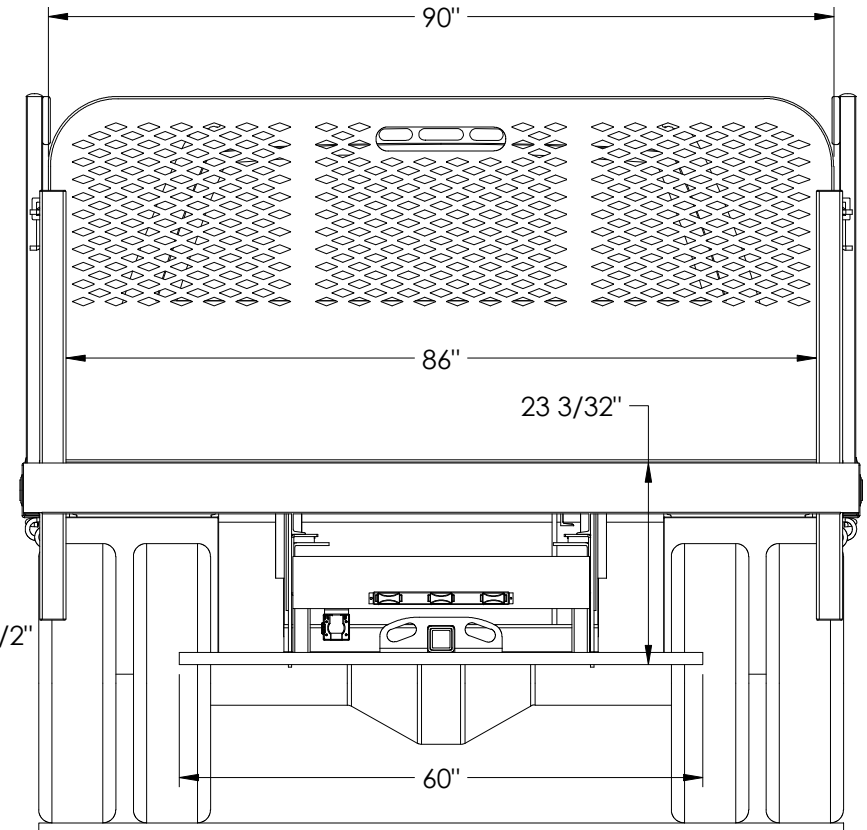
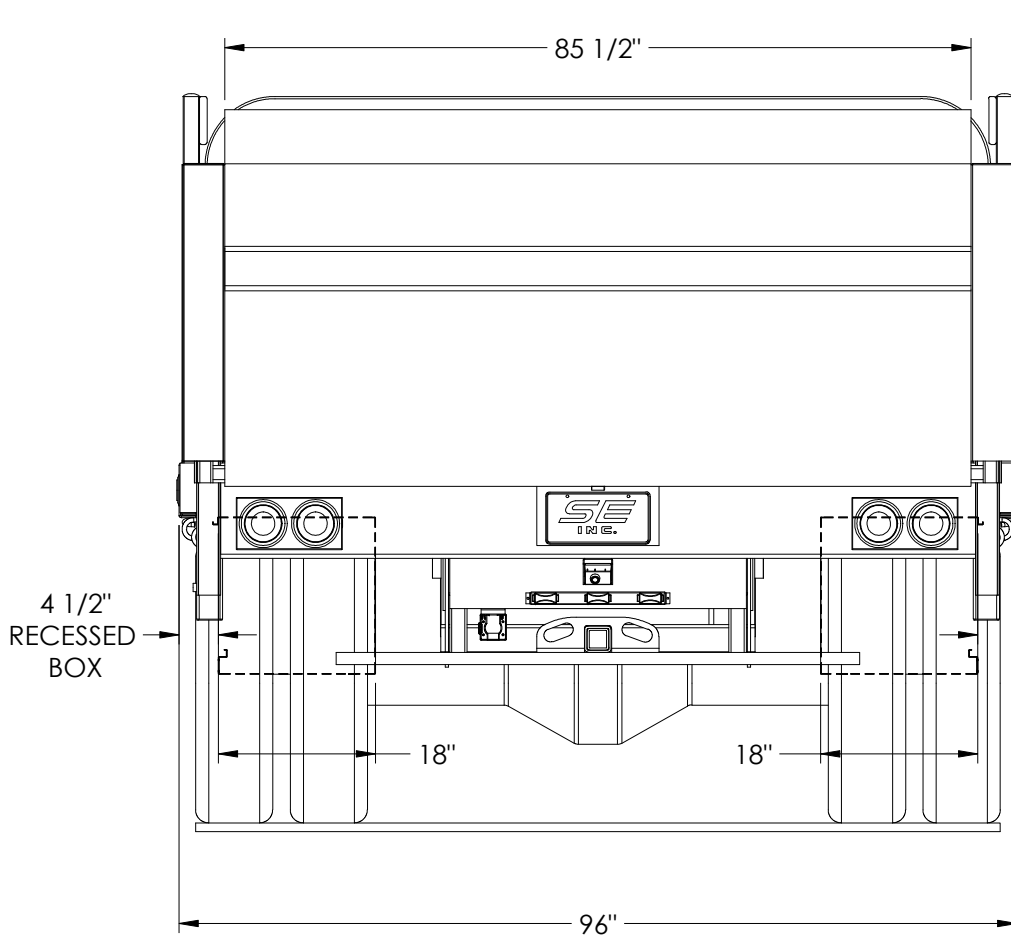
CUSTOMER SIGNATURE X _____

REV.	ECO.	DESCRIPTION OF REVISION	DATE	APPV'D BY:
0	---	DRAWING CREATED	2/4/2019	KDO

THIS DRAWING OR DOCUMENT AND/OR ELECTRONIC DATA, OR COPY THEREOF, IS THE PROPERTY OF SCELZI ENTERPRISES, INC. & IS CONSIDERED PROPRIETARY & CONFIDENTIAL. DISCLOSURE OF THIS INFORMATION IN ANY FORM, IN WHOLE OR IN PART, TO ANY THIRD PARTY IS STRICTLY PROHIBITED WITHOUT THE EXPRESS ADVANCED WRITTEN PERMISSION FROM AN AUTHORIZED REPRESENTATIVE OF SCELZI ENTERPRISES, INC. USERS OF THE INFORMATION CONTAINED HEREIN SHALL TAKE APPROPRIATE MEASURES TO ENSURE THIS INFORMATION REMAINS CONFIDENTIAL.

 SCELZI ENTERPRISES, INC. 2772 S. CHERRY AVE., FRESNO, CA 93706			
DRAWN BY: I.M.	YEAR: 2020	CA: 84"	PART NO:
DATE: 5/26/2020	MAKE: FORD		
SCALE: 1:22	MODEL: F-350		WORK ORDER:
LAYOUT: 2 OF 5	DWG NAME: BOM LAYOUT		203918
SHEET SIZE: A	203918		
DEALER: NATIONAL AUTO FLEET GROUP	CUSTOMER: CITY OF SAN LEANDRO		
DESCRIPTION:	SFB 8' X 12'		

203918 - SFB 8' X 12'



NOTE: LIFTGATE IS REMOVED IN DRAWING FOR ILLUSTRATION PURPOSES

CUSTOMER SIGNATURE X _____

REV.	ECO.	DESCRIPTION OF REVISION	DATE	APPV'D BY:
0	---	DRAWING CREATED	2/4/2019	KDO

THIS DRAWING OR DOCUMENT AND/OR ELECTRONIC DATA, OR COPY THEREOF, IS THE PROPERTY OF SCELZI ENTERPRISES, INC. & IS CONSIDERED PROPRIETARY & CONFIDENTIAL. DISCLOSURE OF THIS INFORMATION IN ANY FORM, IN WHOLE OR IN PART, TO ANY THIRD PARTY IS STRICTLY PROHIBITED WITHOUT THE EXPRESS ADVANCED WRITTEN PERMISSION FROM AN AUTHORIZED REPRESENTATIVE OF SCELZI ENTERPRISES, INC. USERS OF THE INFORMATION CONTAINED HEREIN SHALL TAKE APPROPRIATE MEASURES TO ENSURE THIS INFORMATION REMAINS CONFIDENTIAL.

 SCELZI ENTERPRISES, INC. 2772 S. CHERRY AVE., FRESNO, CA 93706			
DRAWN BY: I.M.	YEAR: 2020	CA: 84"	PART NO:
DATE: 5/26/2020	MAKE: FORD		
SCALE: 1:22	MODEL: F-350		
LAYOUT: 3 OF 5	DWG NAME: BOM LAYOUT		WORK ORDER: 203918
SHEET SIZE: A	203918		
DEALER: NATIONAL AUTO FLEET GROUP		CUSTOMER: CITY OF SAN LEANDRO	
DESCRIPTION: SFB 8' X 12'			