

SITE PLAN / GROUND FLOOR



NO.	DATE	ISSUES AND REVISIONS	BY
1.	01/10/20	ENTITLEMENT SET	

BACKFLOW PREVENTER W/ FIRE DEPT. CONNECTION, MAINTAIN VISIBILITY & ACCESSIBILITY PER THE FIRE DEPT.
PATIO ABOVE (SHOWN DASHED)
SLIDING GATE
LOW GROWING GROUNDCOVER, TYP. TO MAINTAIN VISUAL CLEARANCE
SLIDING GATE

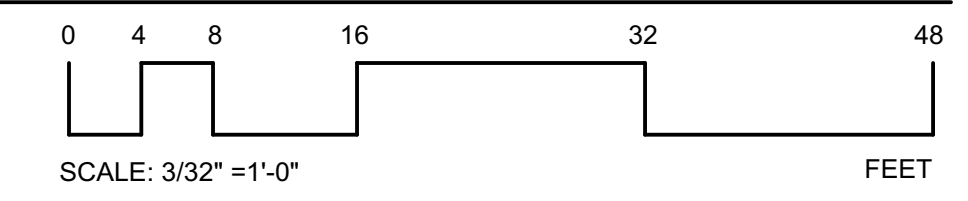
DATE 01/08/20
SCALE AS NOTED

PROJECT NUMBER 1653
COMPUTER FILE 1653_DDBase_060718
PROJECT NAME 1300 BANCROFT

DESCRIPTION
LANDSCAPE MATERIALS PLAN - GROUND FLOOR

SHEET NUMBER
L1.1

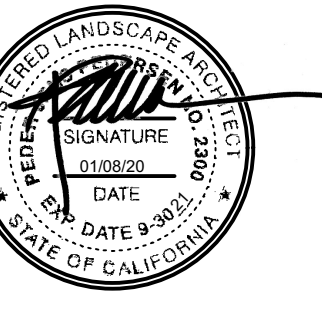
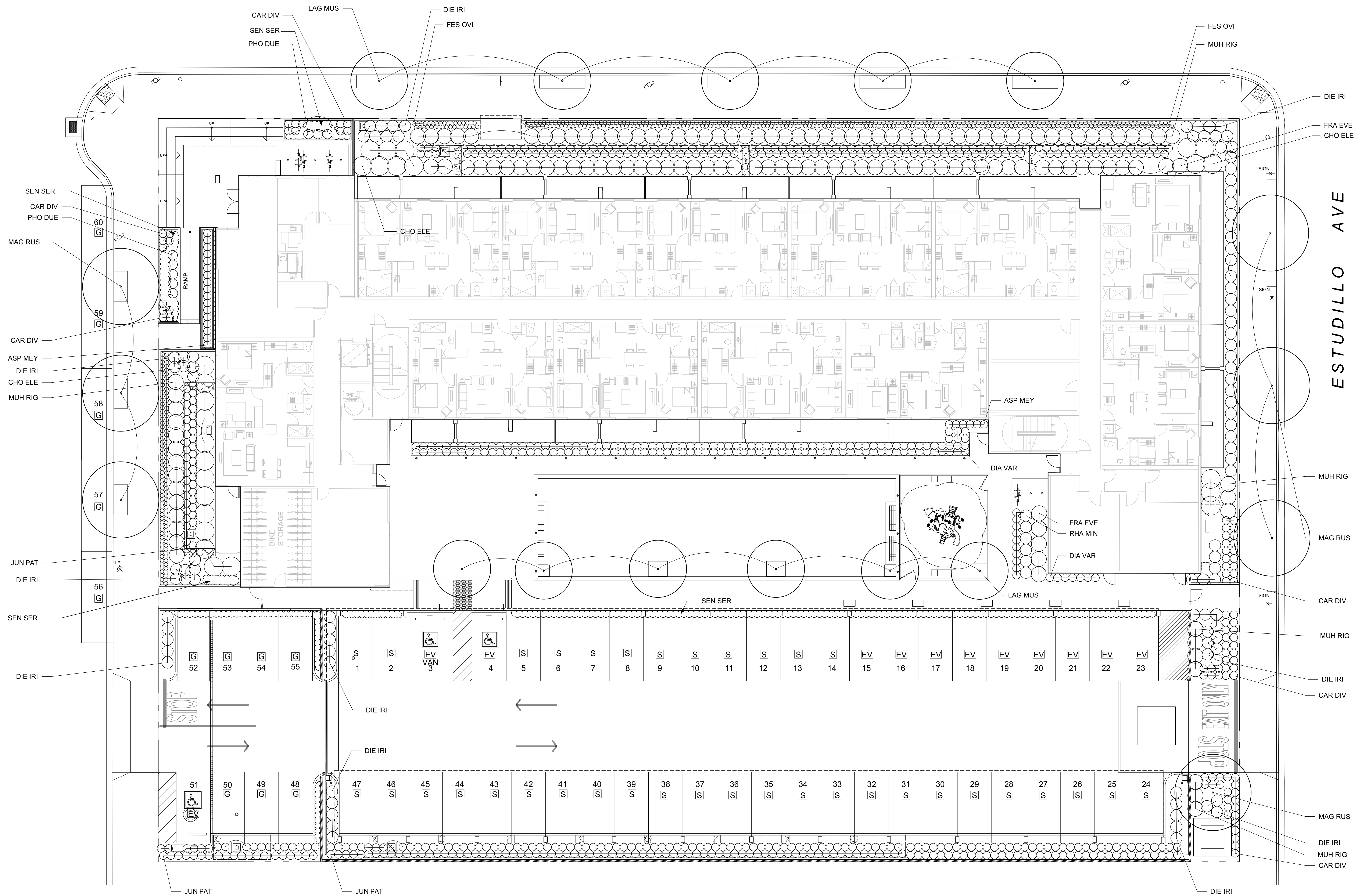
ALL DRAWINGS AND WRITTEN MATERIAL APPEARING HEREIN CONSTITUTE ORIGINAL AND UNPUBLISHED WORK OF THE ARCHITECT AND MAY NOT BE DUPLICATED, USED OR DISCLOSED WITHOUT WRITTEN CONSENT OF THE ARCHITECT



BANCROFT AVE

JOAQUIN AVE

ESTUDIO AVE



NO.	DATE	ISSUES AND REVISIONS	BY
1.	01/10/20	ENTITLEMENT SET	

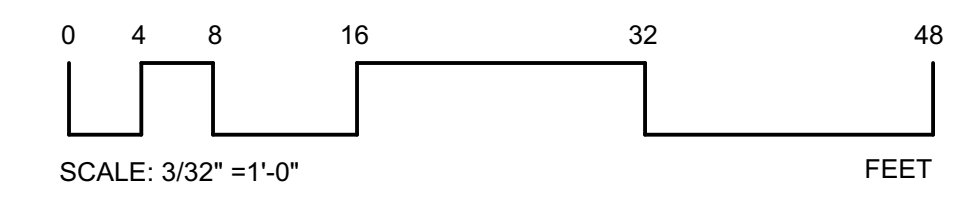
DATE 01/08/20
SCALE AS NOTED

PROJECT NUMBER 1653
COMPUTER FILE 1653_DDBase_060718
PROJECT NAME 1300 BANCROFT

DESCRIPTION
PLANTING PLAN
GROUND FLOOR

SHEET NUMBER
L2.1

ALL DRAWINGS AND WRITTEN MATERIAL APPEARING
HEREIN CONSTITUTE ORIGINAL AND UNPUBLISHED
WORK OF THE ARCHITECT AND MAY NOT BE
DUPLICATED, USED OR DISCLOSED WITHOUT WRITTEN
CONSENT OF THE ARCHITECT



PROJECT NAME

1388 BANCROFT

1388 BANCROFT AVENUE
SAN LEANDRO, CA 94577
APN: 77-524-12-4



NO. DATE ISSUES AND REVISIONS BY

1. 01/10/20 ENTITLEMENT SET

DATE 01/08/20
SCALE AS NOTED

PROJECT NUMBER 1653
COMPUTER FILE 1653_DD_Dtts_060718
PROJECT NAME 1300 BANCROFT

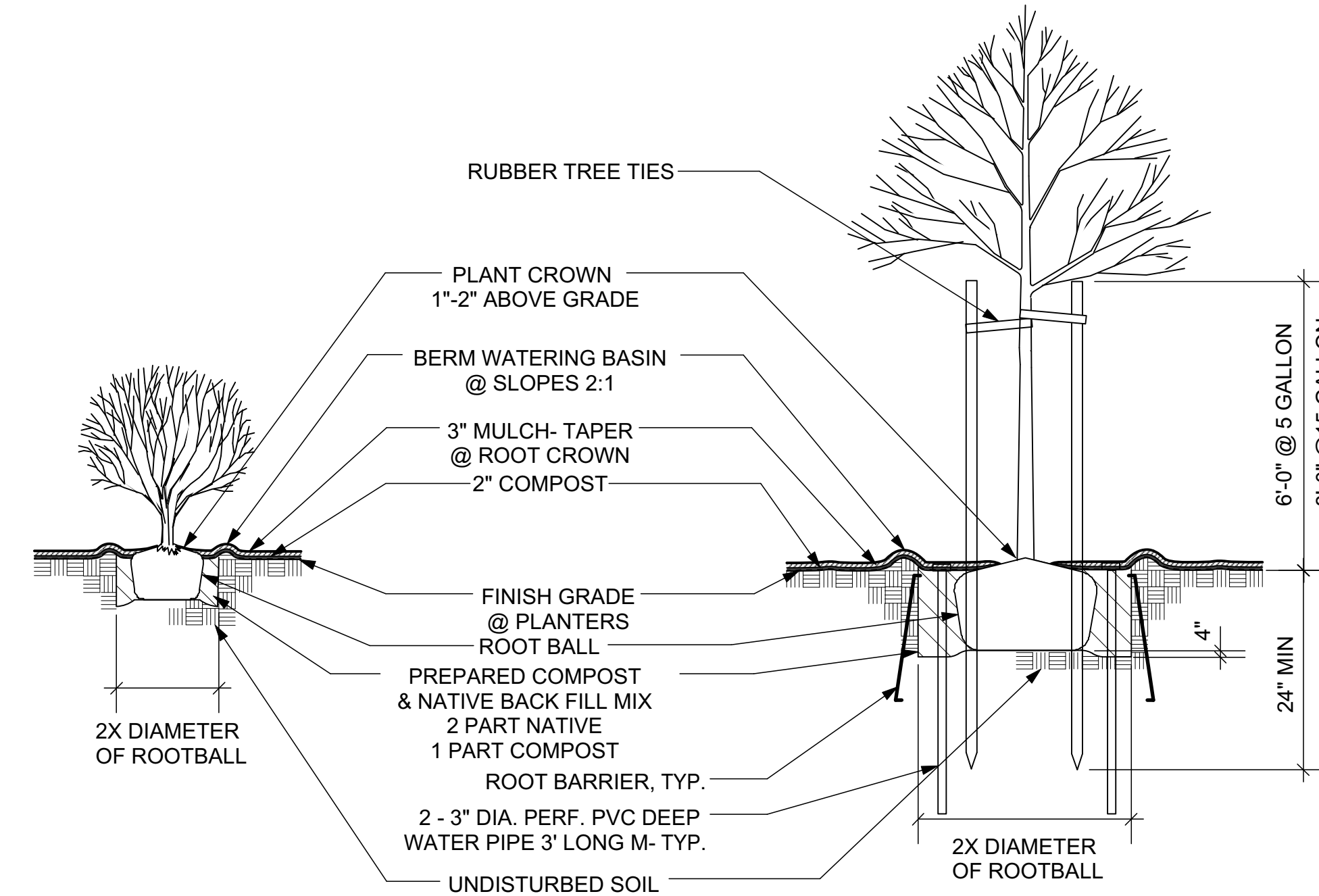
DESCRIPTION

**LANDSCAPE SECTIONS,
ELEVATIONS & DETAILS**

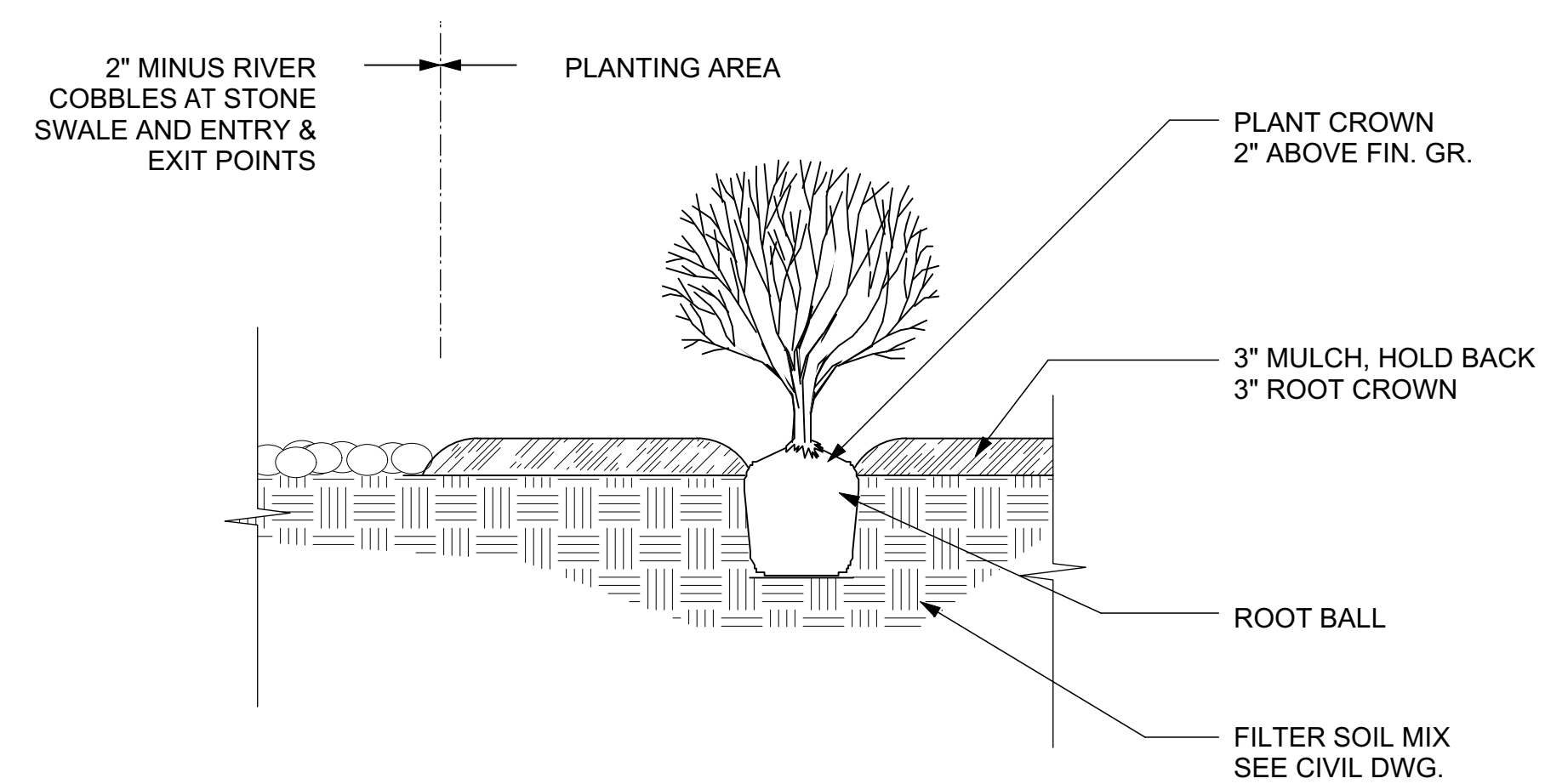
SHEET NUMBER

L3.1

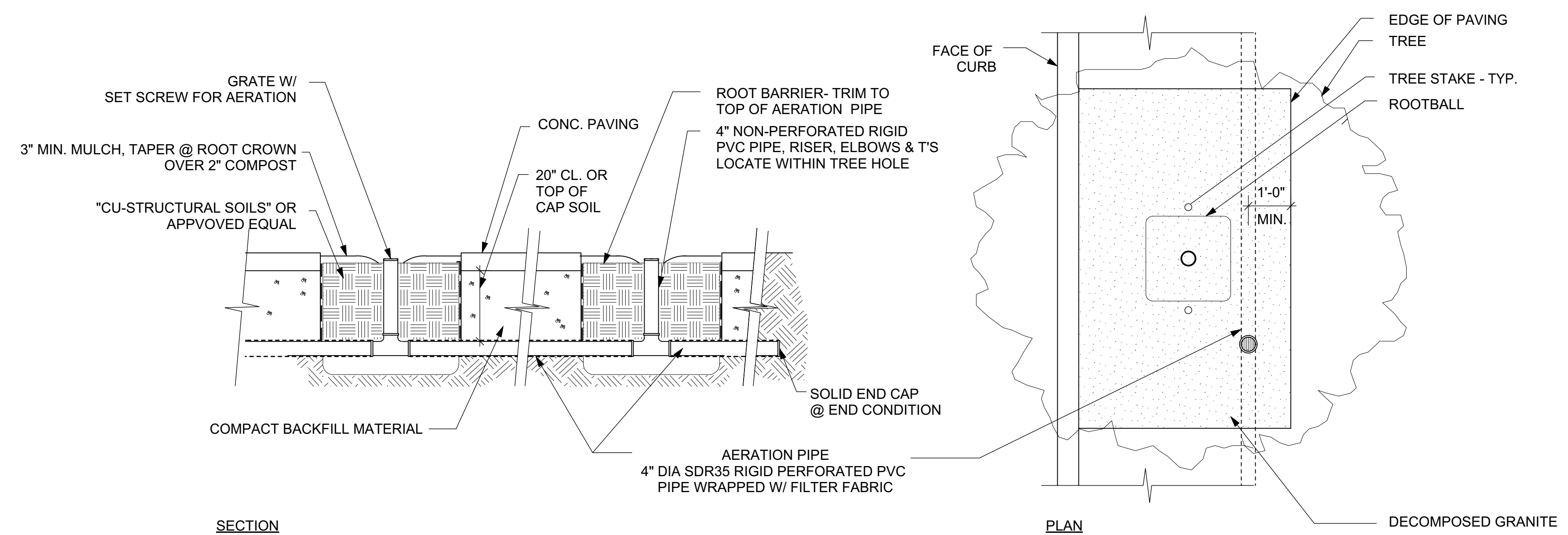
ALL DRAWINGS AND WRITTEN MATERIAL APPEARING
HEREIN CONSTITUTE ORIGINAL AND UNPUBLISHED
WORK OF THE ARCHITECT AND MAY NOT BE
DUPLICATED, USED OR DISCLOSED WITHOUT WRITTEN
CONSENT OF THE ARCHITECT



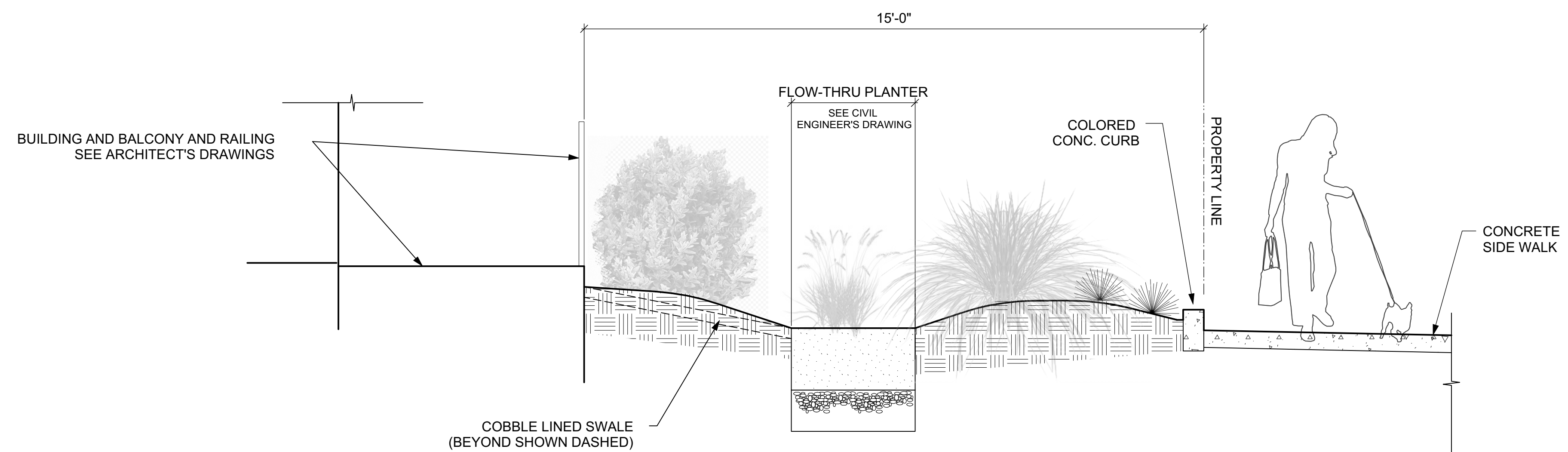
1 TYP. PLANTING DETAIL NTS



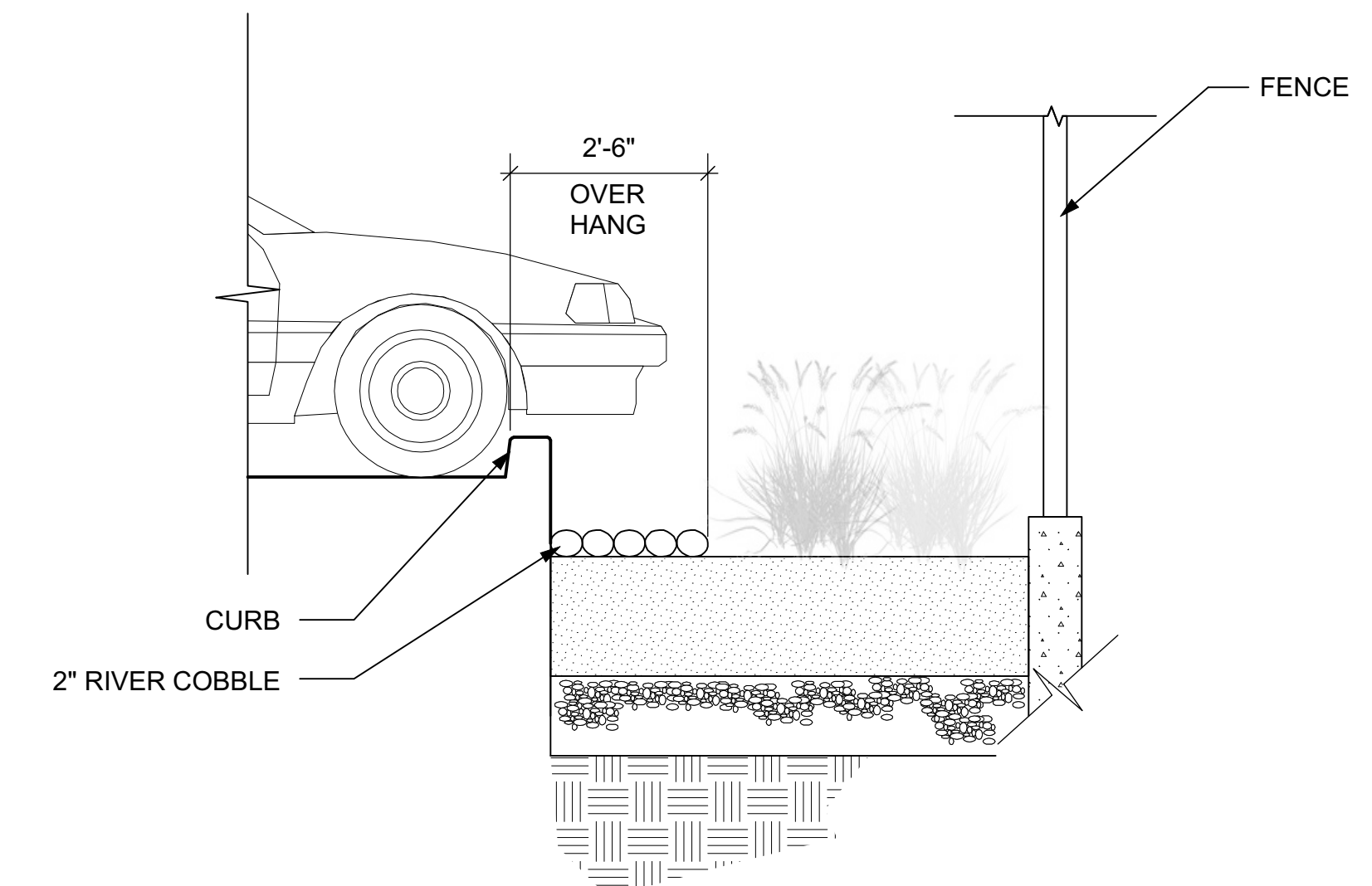
2 PLANTING @ BIORETENTION AREA NTS



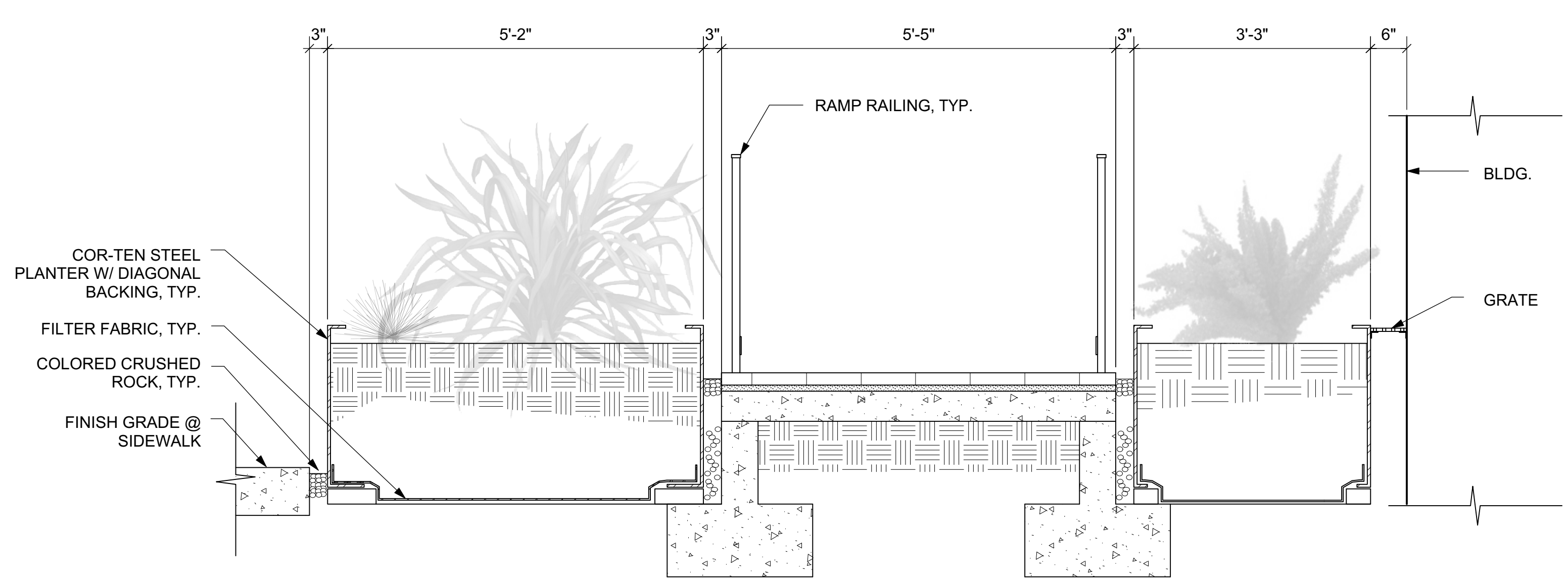
3 STREET TREE PLANTING NTS



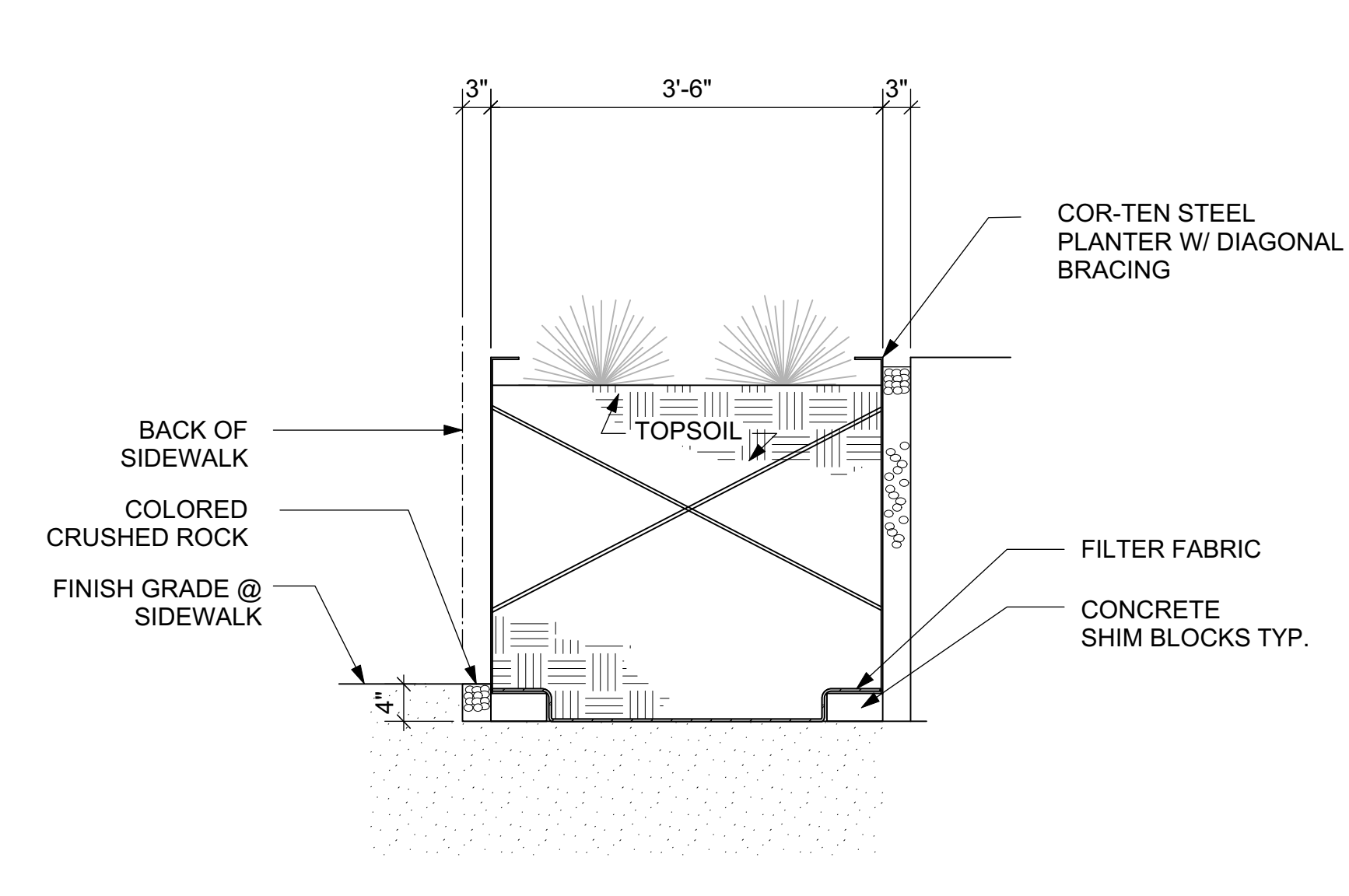
6 SECTION @ FLO THRU PLANTER SCALE: 1/2" = 1'-0"



7 SECTION @ BIORETENTION @ PARKING AREA SCALE: 1/2" = 1'-0"



5 PLANTER & RAMP SECTION SECTION SCALE: 3/4" = 1'-0"



4 PLANTER SECTION SCALE: 3/4" = 1'-0"

CONCRETE COLORS



1266 COOL GRAY



0288 AUTUMN BEIGE

COR-TEN PLANTER IN GRAVEL



BIKE RACK



PLANTING

TREES



Lophostemon confertus
Brisbane Box Tree



Magnolia grandiflora 'Russet'
Russet Southern Magnolia

SHRUBS, PERENNIALS AND GRASSES



Chondropetalum elephantinum
Large Cape Rush



Phormium 'Duet'
New Zealand Flax 'Duet'



Frangula californica
California Coffeeberry



Muhlenbergia rigens
Deer Grass

CONCRETE UNIT PAVER



BENCH



BOLLARD LIGHT



TOT LOT / PLAY STRUCTURE



Diets iridioides
African Iris



Juncus patens
California Gray Rush



Rhampholepis umbellata 'Minor'
Dwarf Yeddo Hawthorn



Senecio serpens
Blue Chalk Sticks



Sedum ssp.
Various Stonecrop Species



Asparagus meyeri
Asparagus Fern



Carex divulsa
Berkeley Sedge

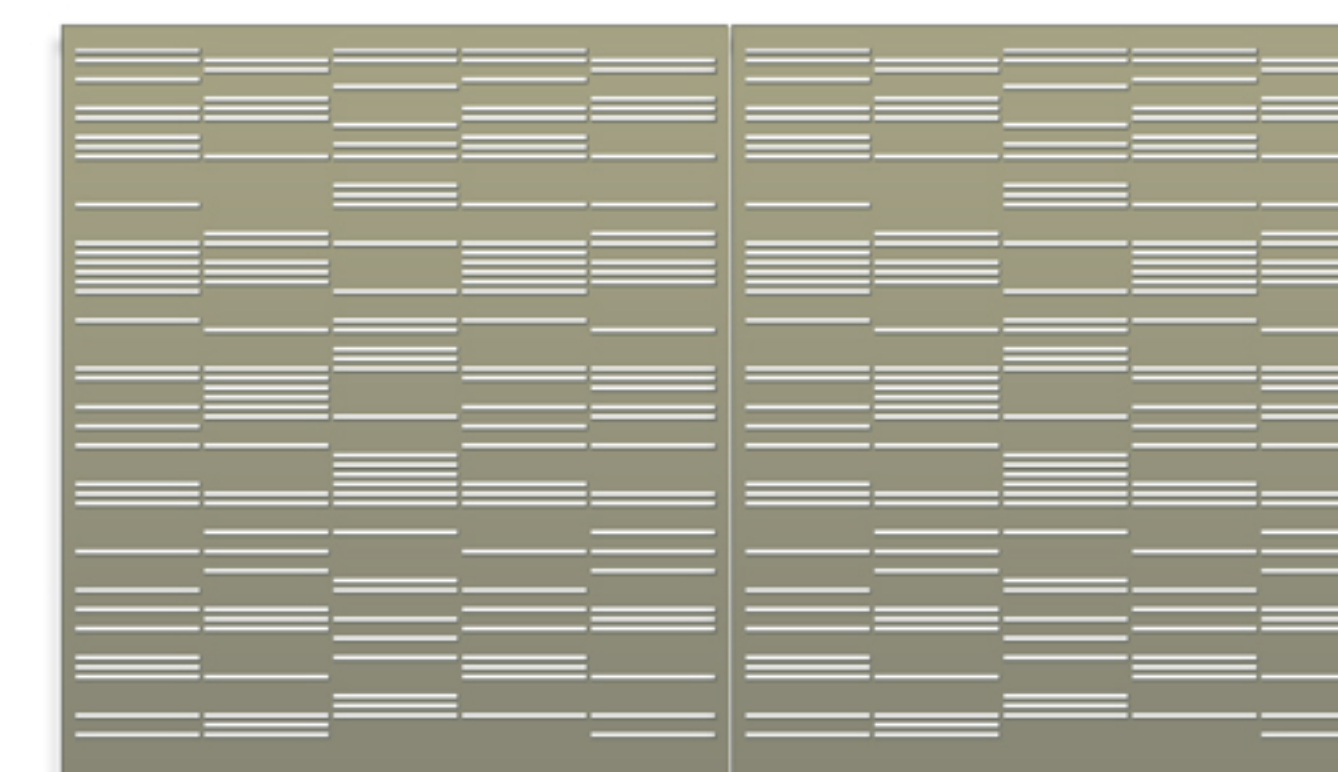


Dianella tasmanica variegata
White Striped Tasman Flax Lily

BUS SHELTER



42" TALL ORNAMENTAL SCREEN @ PATIO & SPORTS LAWN AREA



PROJECT NAME

1388 BANCROFT

1388 BANCROFT AVENUE
SAN LEANDRO, CA 94577
APN: 77-524-12-4



NO.	DATE	ISSUES AND REVISIONS	BY
1.	01/10/20	ENTITLEMENT SET	

DATE 01/08/20
SCALE AS NOTED
PROJECT NUMBER 1653
COMPUTER FILE 1653_DD Image_060718
PROJECT NAME 1300 BANCROFT

DESCRIPTION
MATERIALS & IMAGES

SHEET NUMBER
L4.1

ALL DRAWINGS AND WRITTEN MATERIAL APPEARING
HEREIN CONSTITUTE ORIGINAL AND UNPUBLISHED
WORK OF THE ARCHITECT AND MAY NOT BE
DUPLICATED, USED OR DISCLOSED WITHOUT WRITTEN
CONSENT OF THE ARCHITECT